

# Wireless

Keyboard & Optical Mouse Desktop Set

---

RF 2.4 GHz



***User Manual***

# FEDERAL COMMUNICATIONS

This device complies with Part 15 of the FCC Rules. Operation is subject to the following two conditions : (1) this device may not cause harmful interference, and (2) this device must accept any interference received, including interference that may cause undesired operation.



This equipment has been tested and found to comply with the limits for a Class B digital device, pursuant to Part 15 of the FCC Rules. These limits are designed to provide reasonable protection. This equipment generates uses and can radiated radio frequency energy and, if not installed and used in accordance with the instructions, may cause harmful interference to radio communications. However, there is no guarantee that interference will not occur in particular installation if this equipment dose cause harmful interference to radio or television, which can be determined by turning the equipment off and on, the user is encouraged to try to correct the interference by one or more of the following measures:

- Reorient or relocate the receiving antenna.
- Increase the separation between the equipment and receiver.
- Connect the equipment into an outlet on a circuit different from that to which the receiver is connected.
- Consult the dealer or an experienced radio/TV technician of help.

Shielded interface cables must be used in order to comply with emission limits. Changes or modifications not expressly approved by the party responsible for compliance could void the user's authority to operate equipment.

## Package Content

- |                           |                                      |
|---------------------------|--------------------------------------|
| 1. Wireless Keyboard      | 5. AA Battery x 3                    |
| 2. Wireless Optical Mouse | 6. AAA Ni-MH Rechargeable Battery x2 |
| 3. Mini Receiver          | 7. User Manual                       |
| 4. Charging Cable         |                                      |

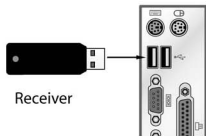
## System Requirement

1. IBM-Compatible PC
2. Microsoft Windows 98SE/ME/2000/XP
3. Available USB port

## Install

### 1 Connect the Receiver to Your Computer

- Please insert the mini USB receiver / dongle into the available USB port.



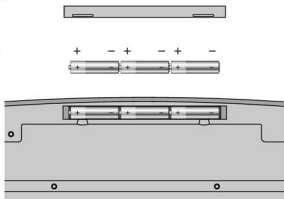
### 2 Insert the batteries for mouse

- Press at the end of battery lid on the back surface of the mouse to open.
- Insert 2 triple A rechargeable batteries into the battery tray. Please make sure that the batteries were inserted in correct directions before closing the battery lid.



### 3 Insert the batteries for keyboard

- Press to open the battery lid on the back of the keyboard.
- Insert 3 double A batteries into the battery tray. Please make sure that the batteries were inserted in correct directions before closing the battery lid.



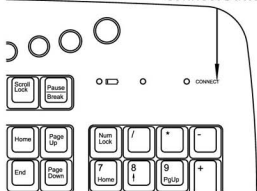
## 4 Connection Setup

- Please press the LED/connect button on the Mini Receiver/Adapter.
- \*The LED will begin flash after the connect button is pressed.
- After the connect button of the receiver is pressed, simply press the connect button on the keyboard.

Connect Button



Connect Button



- Again, please press the LED/connect button on the Mini Receiver/Adapter.

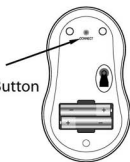
\*The LED will begin flash after the connect button is pressed.

Connect Button



- Then, press the connect button on the bottom surface of the mouse to establish the wireless connection.

Connect Button



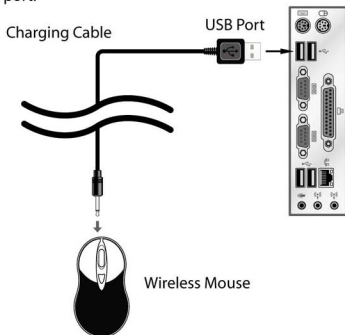
## 5 Test the mouse

- Please move the mouse around to test whether the wireless connection has been established or not. If the receive signal LED on the receiver flashes, it means the wireless connection has been established. If the receive signal LED does not flash or the mouse pointer on your monitor screen does not move, you need to repeat the connection step again.

## 6 Charge mouse

**Note: The wireless mouse is rechargeable. Please use only Ni-MH rechargeable batteries for charging.**

- For the first time use, please charge the mouse to its full power capacity (at least 8 hours). To recharge the mouse, please take out the charging cable that comes with the package. Please follow the picture description shown below, and plug in the audio pin of charging cable to the print of the mouse, then plug the USB cable connector into an available USB port.



- When the charging cable is well connected, the mouse will turn into charging mode. Under charging mode, you may still use the mouse without interference. After charging for at least 8 hours, the mouse batteries have been fully charged, and you may unplug the audio pin of charging from the mouse to finish the charging process.



- When the mouse stays stall for a while, the mouse will turn into a sleeping mode after the energy saving sensor has been activated automatically. To resume operation, just simply click on any mouse button.
- For the first time usage, please charge the mouse with a minimum of eight(8) hours for maximum efficiency.
- Please use only Ni-MH rechargeable batteries for charging purpose. Using non-rechargeable batteries for charging purpose may severely damage the mouse.
- Please connect the Mini Receiver / adapter to the computer main frame to ensure the best connection quality.
- If there is a delay for the mouse under normal use, then it indicates that the mouse is short in power, or the connection has been interrupted. At this moment, please charge the mouse, or reconnect if necessary.
  - After each time you re-setup the Mini-Receiver, or replace the batteries of the mouse, please remember to redo the connection process.

## Hot Key Functions

- ↶ **BACK** : Go back to the previous web page.
- ↷ **FORWARD** : Go to the next web page.
- ⊗ **STOP** : Stop default web browser from loading or refreshing a web page.
- 🔄 **REFRESH** : Update the content of the current web page on a default web browser.
- 🔍 **SEARCH** : Open the "Find "window in the START taskbar.
- 📑 **FAVORITES** : Open the "Favorites" group.
- 🏠 **WEB/HOME** : Start your default browser and go immediately to your Home Web page.
- ✉ **MAIL** : Start the default E-mail program.
- ▶⏸ **PLAY/PAUSE** : Play or pause the default media player.
- **STOP** : Stops the media.
- ⏮ **PREVIOUS TRACK** : Change to the previous track of the default media player.
- ⏭ **NEXT TRACK** : Change to the next track of the default media player.
- 🎵 **MEDIA** : Start the music CD player or Microsoft Windows Media Player application.(#1)
- 🔊- **VOLUME DOWN** : Press and release, or press and hold to decrease the volume.
- 🔊+ **VOLUME UP** : Press and release, or press and hold to increase the volume.
- 🔇 **MUTE** : Stops all audio. Press again to resume audio.
- 🧮 **CALCULATOR** : Start the "CALCULATOR" program.
- 💻 **MY COMPUTER** : Open the "My Computer" window.
- 🌙 **SLEEP** : User can put the system into sleep mode, if the PC supports power management. The user can put the computer to sleep by press this key. If power management is not enabling, this key will not work.(#1)
- ⌘ **WAKE UP** : Exit sleep mode, and return to normal mode.(#1)



NOTE

#1 : Please note that not every keyboard model would include this feature.

### **Back**

Go back to the previous web page.



## Resolving Basic Problems

- If your cursor is controlled by another system in an office or multi-user environment, try to unload the batteries, insert them again after 2 minutes and repeat step "Connection".
- A desk made of iron will negatively impact wireless mouse operations.
- If your devices don't function smoothly, you may try the following steps :
  - a. replace with new batteries
  - b. repeat step "Connection"
  - c. move wireless mouse closer to receiver

# Wireless

Keyboard & Optical Mouse Desktop Set

---

RF 2.4 GHz

---

***User Manual***